

PARTS MANUAL

ELECTRIC SCISSOR LIFTS

JCPT0507, JCPT0607



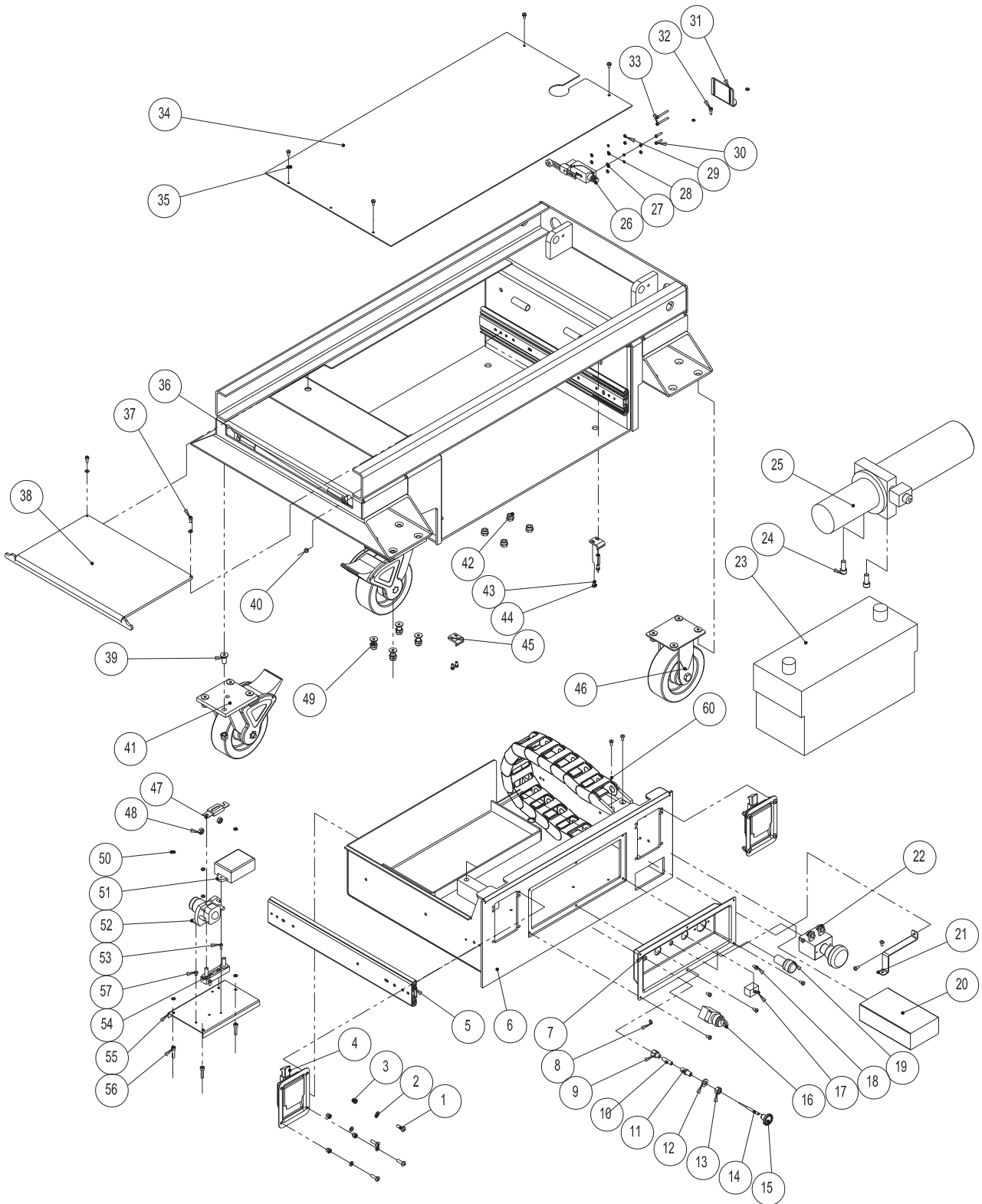
WARNING

THE MANUFACTURER SHALL NOT BE HELD LIABLE IN CASE OF FAULTS OR ACCIDENTS DUE TO NEGLIGENCE, INCAPACITY, INSTALLATION BY UNQUALIFIED TECHNICIANS AND IMPROPER USE OF THE MACHINE

DO NOT OPERATE THIS MACHINE UNTIL YOU READ AND UNDERSTAND ALL THE DANGERS, WARNINGS AND CAUTIONS IN THIS MANUAL

Parts Manual

Chassis, All Models



Parts Manual

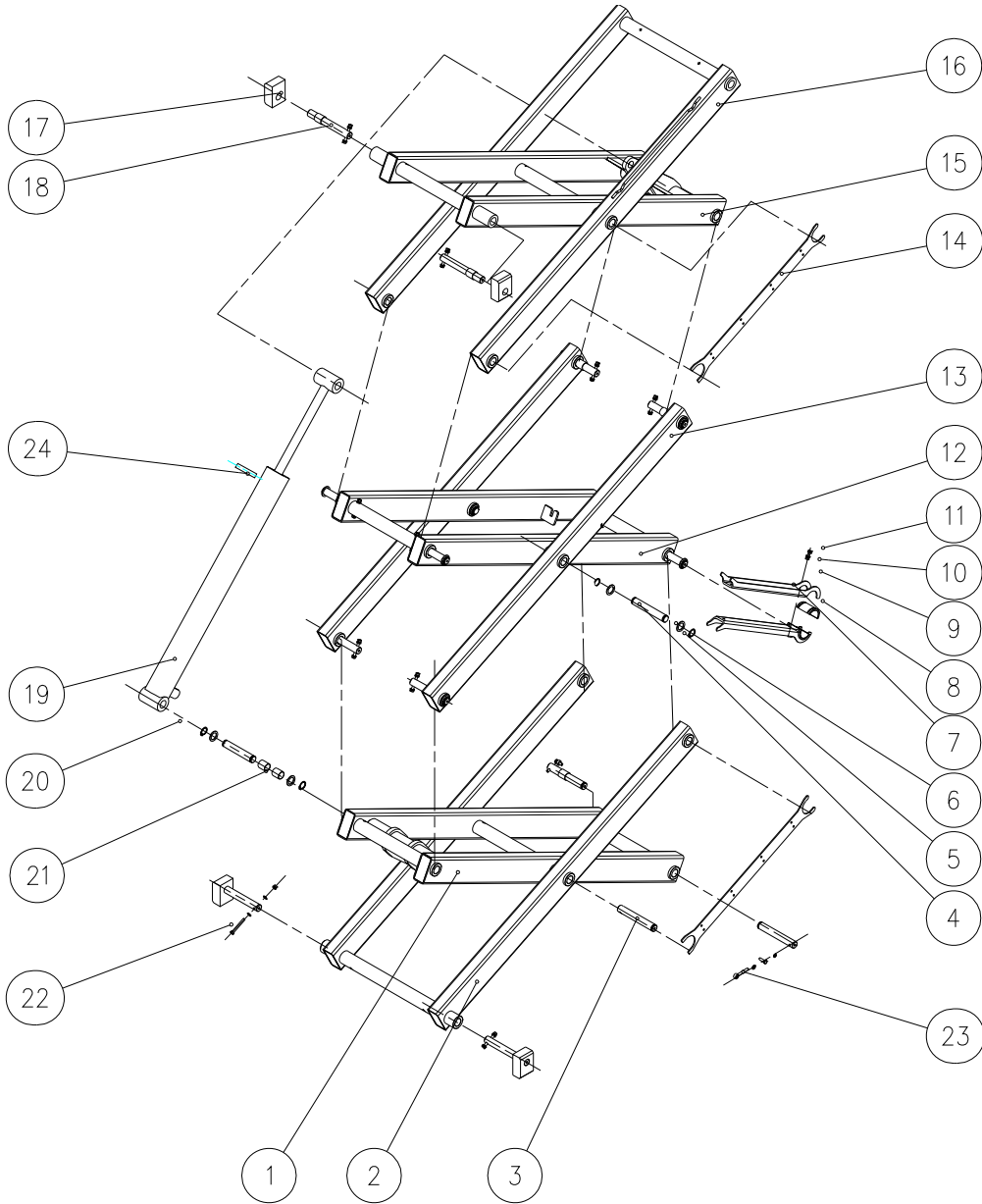
No.	Parts No.	Description	Qty.	Remark
1	GB/T 818-2000	Screw M6×20-H	8	
2	GB/T 97.1-2002	Washer 6	8	
3	GB/T 6182-2000	Nut M6	8	
4	JCPT0630-12012	Lock	2	
5	7602-20"	Slide	2	
6	JCPT5007M-120000	Battery box weld	1	
7	JCPT5007M-100011	Control plate	1	
8	GB/T 70.1-2000	Screw M4×6	1	
9	JCPT5007M-100104	Connect nut	1	
10	JCPT1212HD-13242	Sleeve	1	
11	JCPT1212HD-13241	Connector	1	
12	GB/T 97.1-2002	Washer 10	9	
13	GB/T 6170-2000	Nut M10	1	
14		Handling	1	
15	JCPT1212HD-13250	Handle	1	
16		Key switch	1	
17		Up-down switch	1	
18	GB/T 859-1987	Washer 5	6	
19		Indicator	1	
20	12V 25A	Charger	1	
21	JCPT5007M-110012	Charger anchor	1	
22		Kill switch	1	
23		Battery	1	120AH
24	GB/T 70.1-2000	Screw M10X25	2	
25		Pump	1	0.8kW
26	TZ-8108	Travel Switch	1	
27	GB/T 97.1-2002	Washer 4	4	
28	GB/T 93-1987	Washer 4	4	
29	GB/T 6170-2000	Nut M4	4	
30	GB/T 70.1-2000	Screw M4×16	2	
31		Switch seat	1	
32	GB/T 70.1-2000	Screw M5×12	1	
33	GB/T 70.1-2000	Screw M4×35	2	

Parts Manual

No.	Parts No.	Description	Qty.	Remark
34	JCPT5007M-100012	Plate	1	
35	GB/T 97.1-2002	Washer 5	10	
36	JCPT5007M-110000	Chassis weld	1	
37	GB/T 70.1-2000	Screw M5×10	2	
38	JCPT5007M-100020	Pedal	1	
39	GB/T 70.3-2000	Screw M10×25	8	
40		Magnet	2	
41	TJ00001-S	6" swivel wheel	2	
42	GB/T 6182-2000	Nut M10	8	
43	GB/T 5783-2000	Bolt M5×10	4	
44	GB/T 93-1987	Washer 6	5	
45	JCPT5007M-100013	Lock	2	
46	TJ00001-r	6"wheel	2	
47		Protective circuit	1	
48	GB/T 6170-2000	Nut M8	4	
49	GB/T 889.2-2000	Nut M10×1	8	
50	GB/T 93-1987	Washer 6	3	
51		Modular	1	
52		DC contactor	1	
53	GB/T 818-2000	Screw M4×10-H	2	
54		Seat	1	
55	JCPT5007M-110013	Seat Plate	1	
56	GB/T 70.1-2000	Screw M6×25	3	
57	GB/T 818-2000	Screw M5×10	17	
60	25"Bi=57N.1PZ	Towline	1	

Scissor Assembly

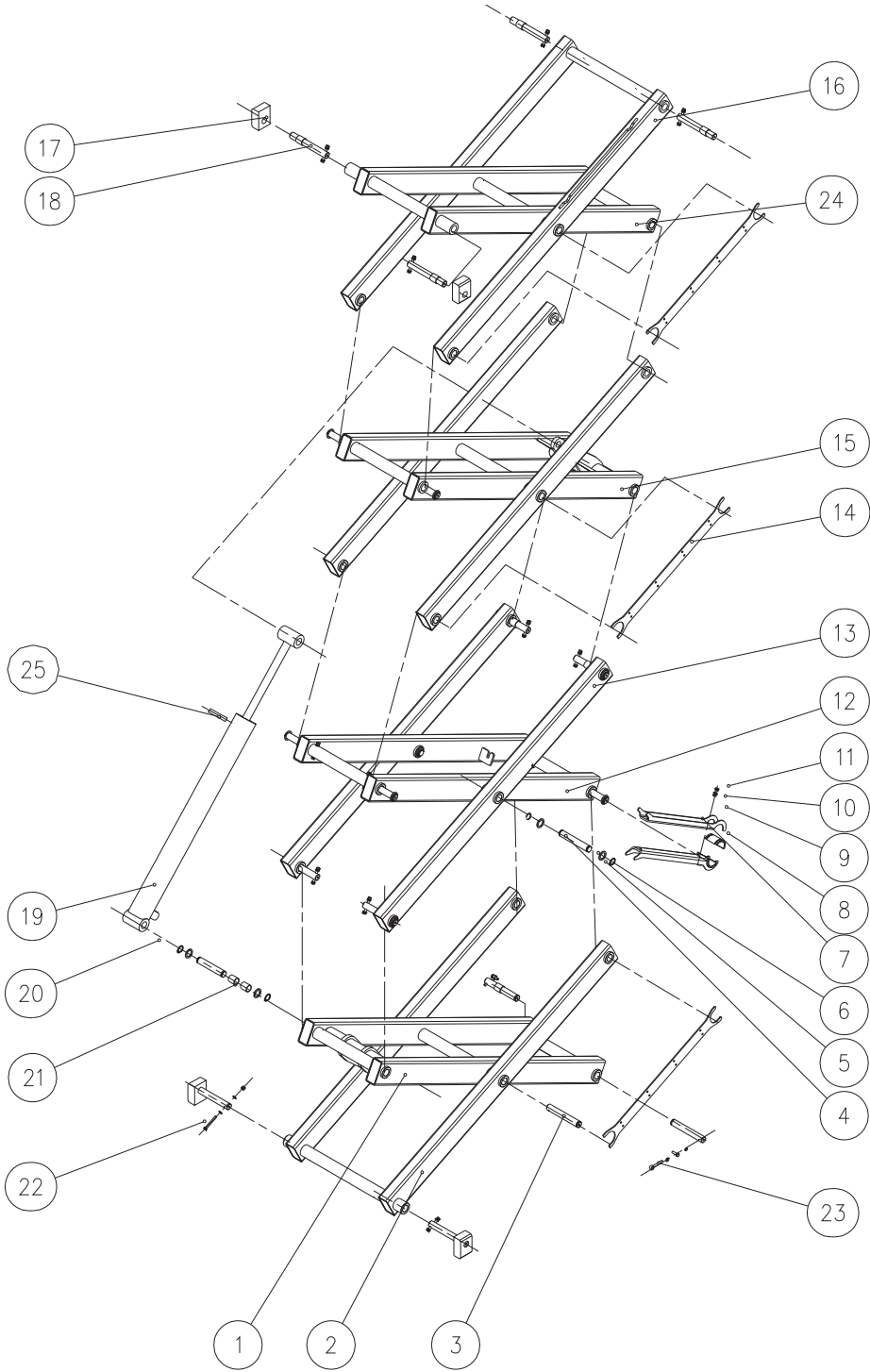
JCPT0507



Parts Manual

No.	Parts No.	Description	Qty.	Remark
1	JCPT5007M-131100	Inner 1 arm	1	
2	JCPT5007M-131200	Outer 1 arm	1	
3	JCPT5007MQ-131009	Axle 1	14	
4	JCPT5007MQ-131010	Axle 2	2	
5		Bead flange	20	
6	GB894.2-1986	Bead flange D20	20	
7	JCPT5007MQ-131006	Safety arm	2	
8	JCPT5007MQ-131007	Safety Arm Spacer	2	
9	GB/T 97.1-2002	Spacer 6	40	
10	GB/T 5783-2000	Bolt M6×20	5	
11	GB/T 889.1-2000	Nut M6	20	
12	JCPT5007M-131300	Inner 2 arm	1	
13	JCPT5007MQ-131400	Outer 2 arm	1	
14	JCPT5007MQ-131004	Wire bridge	2	
15	JCPT5007M-131500	Inner 3 arm	1	
16	JCPT5007M-131600	Outer 3 arm	1	
17	JCPT5007MQ-131002	slider	4	
18	JCPT5007M-131001	Axle for Slider	6	
19	JCPT5007MQ-153100	Cylinder	1	
20	JCPT5007MQ-131008	Axle for Cylinder	2	
21	25-2023	Bearing	22	
22	GB/T 5782-2000	Bolt M10×90	18	
23	6x65.S	Pin	2	
24		Silencer	1	

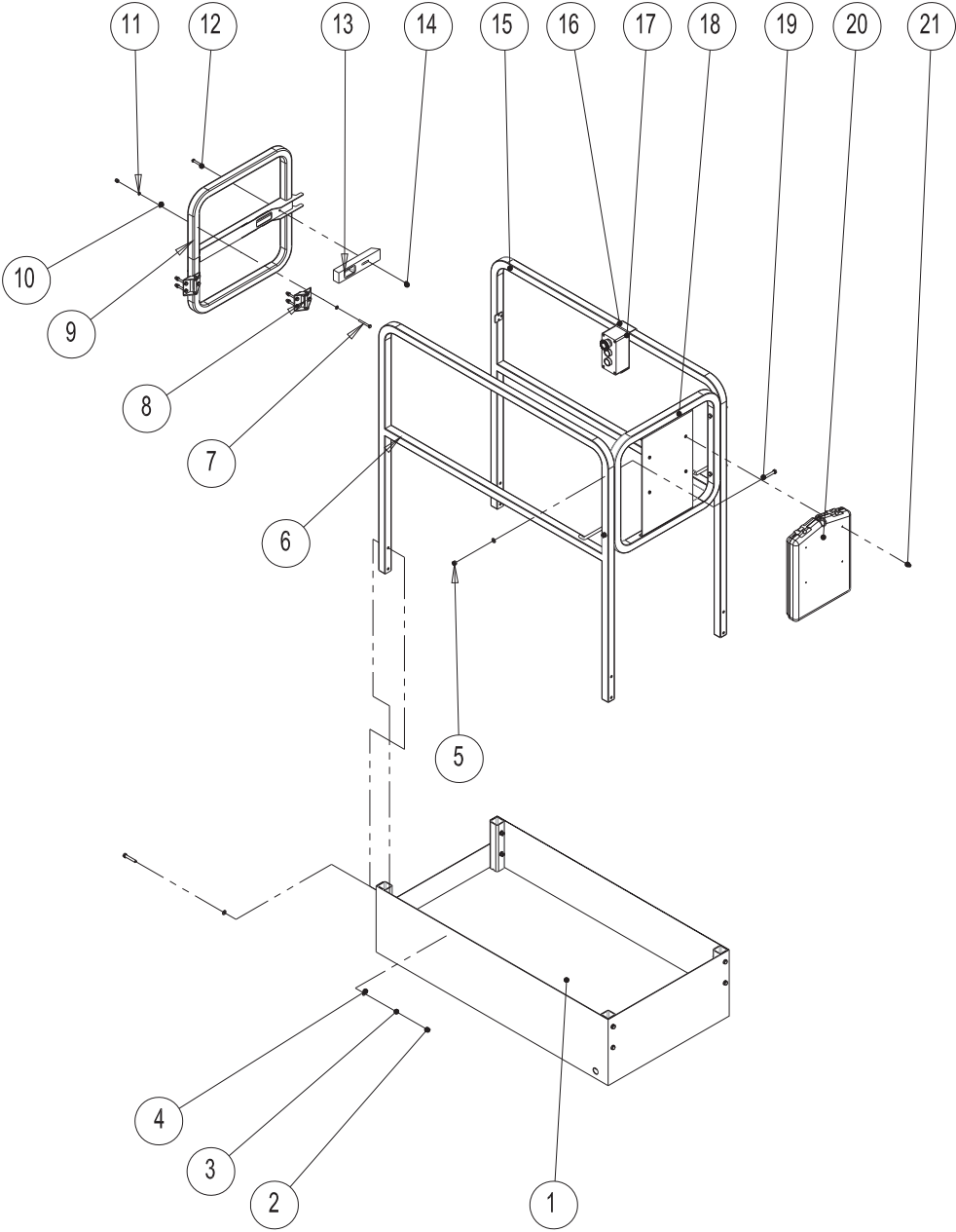
JCPT 0607



Parts Manual

No.	Parts No.	Description	Qty.	Remark
1	JCPT5007M-131100	Inner 1 arm	1	
2	JCPT5007M-131200	Outer 1 arm	1	
3	JCPT5007MQ-131009	Axle 1	14	
4	JCPT5007MQ-131010	Axle 2	2	
5		Bead flange	20	
6	GB894.2-1986	Bead flange D20	20	
7	JCPT5007MQ-131006	Safety arm	2	
8	JCPT5007MQ-131007	Safety Arm Spacer	2	
9	GB/T 97.1-2002	Spacer 6	40	
10	GB/T 5783-2000	Bolt M6x20	5	
11	GB/T 889.1-2000	Nut M6	20	
12	JCPT5007M-131300	Inner 2 arm	1	
13	JCPT5007MQ-131400	Outer 2 arm	1	
14	JCPT5007MQ-131004	Wire bridge	3	
15	JCPT5907M-131500	Inner 3 arm	1	
16	JCPT5007M-131600	Outer 3 arm	1	
17	JCPT5007MQ-131002	Slider	4	
18	JCPT5007M-131001	Axle for slider	6	
19	JCPT5007MQ-153100	Cylinder	1	
20	JCPT5007MQ-131008	Axle for cylinder	2	
21	Sf-25-2023	Bearing	22	
22	GB/T 5782-2000	Bolt M10x90	18	
23	6x65.S	Pin	2	
24	JCPT5907M-131600	Outer 4 arm	1	
25		Silencer	1	

Platform All Models



Parts Manual

No.	Parts No.	Description	Qty.	Remark
1	JCPT5007MQ-146100	Singe Deck	1	
2	GB/T 6170-2000	Nut M8	8	
3	GB/T 93-1987	Washer 8	9	
4	GB/T97.1-2002	Washer 8	20	
5	GB/T 6182-2000	Nut M8	4	
6	JCPT5007MQ-146210	Rail,(Right)	1	
7	GB/T 5782-2000	Bolt M6×50	8	
8	TYHY6957-8020	Hinge 31	2	
9	JCPT5007MQ-146220	Door	1	
10	GB/T97.1-2002	Washer 6	16	
11	GB/T 93-1987	Washer 6	8	
12	GB/T 5780-2000	Bolt M6×40	1	
13	JCPT3707M-43301	Doorknob	1	
14	GB/T 6182-2000	Nut M6	9	
15	JCPT5007MQ-146230	Rail, (Left)	1	
16	JCPT5907M-00016	Hold of console	1	
17		Controller	1	
18	JCPT5007MQ-146300	End rail	1	
19	GB/T 5782-2000	Bolt M8×50	12	
20		Handbook, Box	1	
21	GB/T 70.3-2000	Bolt M5×20	4	

